



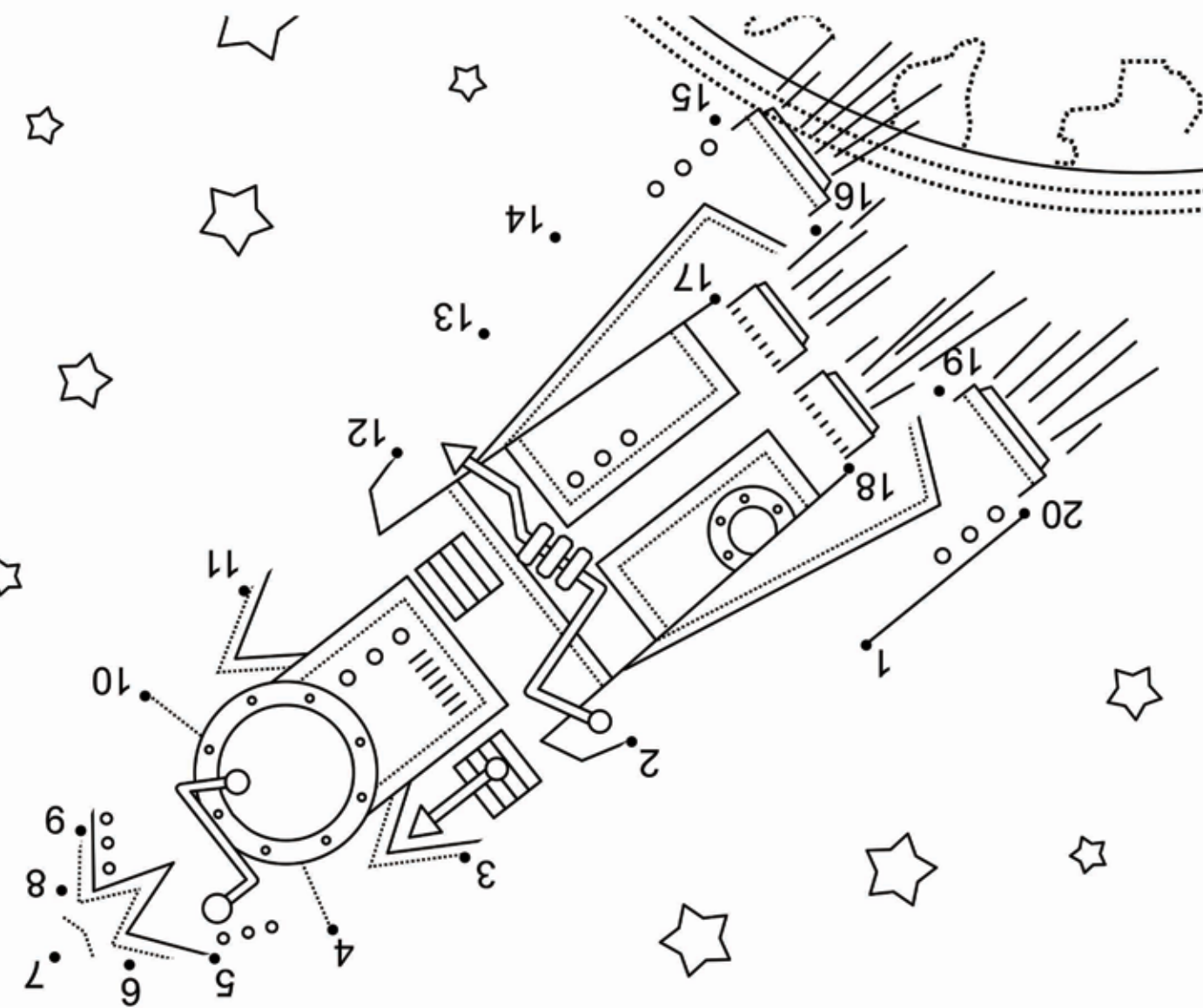
SCOUT ME IN™



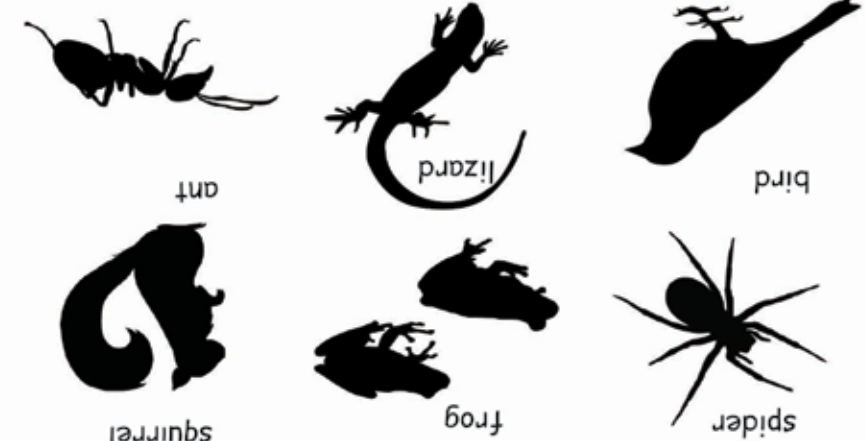
Our pack No. is _____ which meets at _____ (location) _____ (time) on _____ (day and week of month).
 We are in Den _____ which meets at _____ (location) _____ (time) on _____ (day and week of month).
 Our pack's chartered organization is _____ (time) on _____ (day and week of month).
 Our den leader's name is _____ Phone No. _____ Email _____
 Our local council name is _____ Website _____ Phone No. _____ Email _____



Printed under license from the Boy Scouts of America. All rights reserved.



To Infinity and Beyond
 Connect the dots and color



Backyard Jungle
 What is that? Circle the animals you found in your backyard

- Bobcat**
First-time Scouts, before advancement.
- Lions (Kindergartners)**
Kindergartners and their parents work together in activities that are age-appropriate and fun.
- Tiger (1st Grade)**
Youth and parents work one on one with other families to prepare Scout for Cub Scouting.
- Wolf (2nd Grade)**
Learn new hobbies and teach skills that will be useful during Scouting years.
- Bear (3rd Grade)**
Scouts meet regularly in small groups to work on projects. Uniforms, badges, games, sports, fun!
- Webelos Scouting (4th & 5th Grades)**
Scouts prepare to join a Scouts BSA while learning outdoors skills and participating in many adventures.

Cub Scouts Programs